



# DATA SHEET

VITAPPOINT SERIES 6000 - 6000 pro



XTRACTION®

# DATA SHEET

## VITAPPOINT SERIES 6000 - 6000 pro



### AIR IS LIFE!

Vitapoint® almost completely filters harmful substances and significantly improves air quality, particularly in heavily frequented or polluted rooms.

The VITAPPOINT® air purifier extracts the contaminated air near the floor and cleans it through two filter stages. The hygienically clean air is then filtered through a ventilation grille on the top of the unit and led back into the room. The separated particles remain in the filters and are disposed of with them.

### HIGHLIGHTS

**Most powerful air purifier on the German market**

**Filters 99.995% of viruses, aerosols, pollen and fine dust from 0.001 µm**

**Filters 1,000 liters of air per second**

**24 inch display for operation, advertising and air parameters**

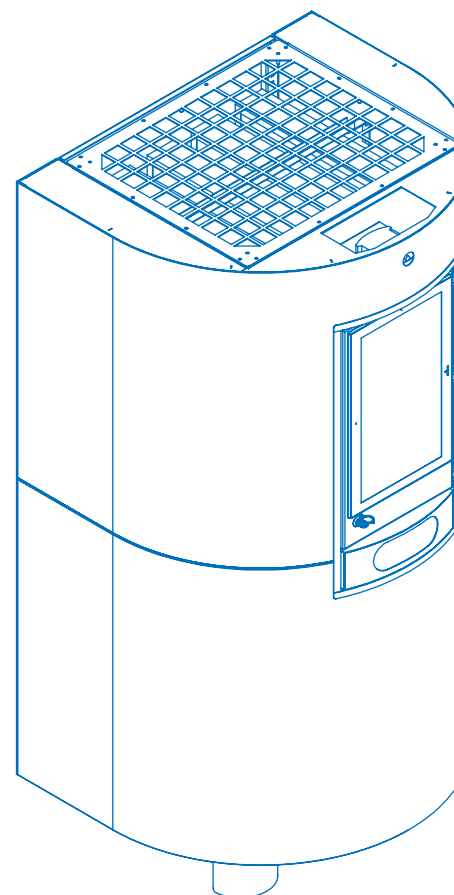
**Suitable for the food, pharmaceutical and health industries**

**Room size and air volume adjustment**

**Monitoring filter saturation and operating hours**

**Sensor technology: CO2, VOC, temperature and humidity**

**Touchless disinfectant dispenser**



### APPLICATION AREAS

Hotel / Gastronomy

Retail / Supermarkets

Hospital / Nursing homes /

Doctor's offices

Sport / Fitness

Schools / Daycare centers

Offices / Public institutions

Petrol station / Rest stops

Offices / Meeting rooms

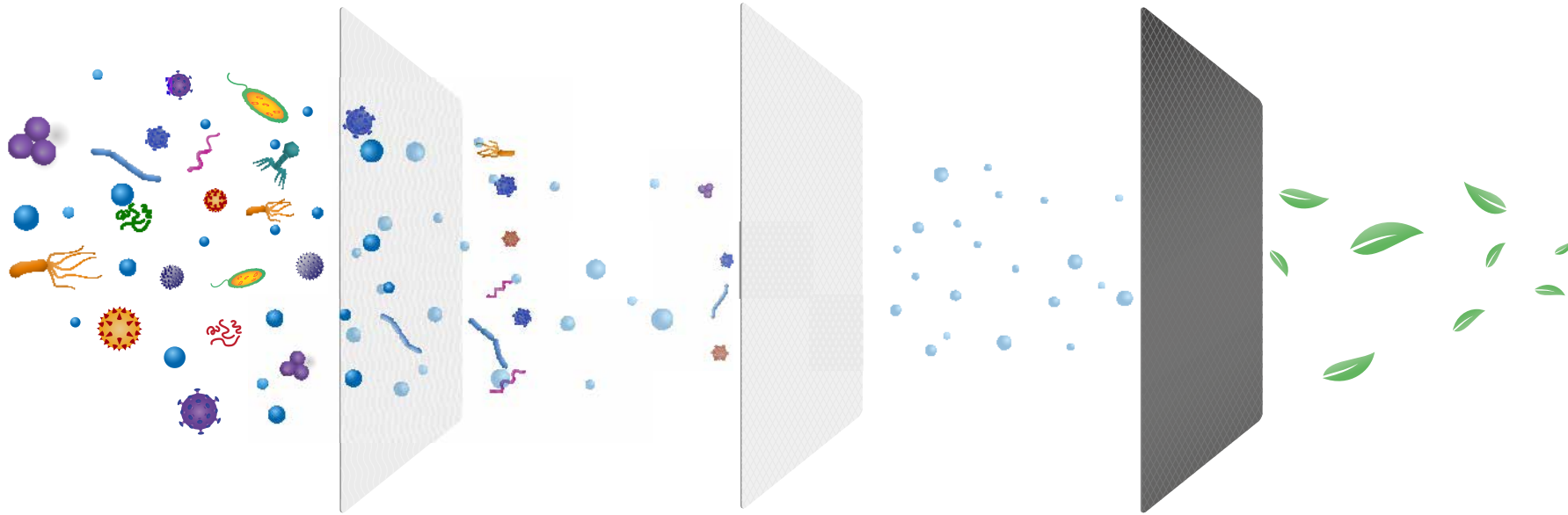
### PERFORMANCE

**4.000 m<sup>3</sup>/h**

**56 dB(A)**

*at maximum performance*

## FILTER | OPTIONS



### FILTER STAGE 1

Fine dust filter F9 of 0,3 µm

### FILTER STAGE 2

HEPA H-14 filter of 0,001µm

### FILTER STAGE 3

Activated carbon filter of 0,0001 µm

## OPTIONS

*Stainless steel construction*

*Numerous designs*

*Activated carbon filter*

# 99.995 %

*Separation efficiency in  
accordance with DIN EN 1822*

**VITAPPOINT 6000 pro**



**AIR DATA**

Humidity, VOC content, CO<sub>2</sub> content, temperature

**ADVERTISING SPACE**

Movies, images, presentations  
Format 9:16 (1080 x 1920 px)  
All common picture / video formats  
e.g. .png .jpg .gif .mp4 .mov

**HYGIENE DISPENSER**

Automatic disinfectant dispenser with motion sensor

24 inch touch panel

Remote Service

Adjustable air output

WiFi, USB and many other interfaces

Sensor and display for air parameters

Timer with pause times and adjustable air output

Multilingual control

Filter monitoring

Motion sensor (Touchless)

Plus drip tray

**VITAPPOINT 6000**

4.3 inch touch panel

User interface control

VITAPPOINT App

Adjustable air output

Low energy consumption

Filter monitoring

Sensor and display for CO<sub>2</sub> concentration

Timer with pause times and adjustable air flow

Multilingual control



**VITAPPOINT APP**

Convenient control access via app

For smartphones, tablets and PCs

Easy installation

Management of up to 20 VITAPPOINT air purifiers

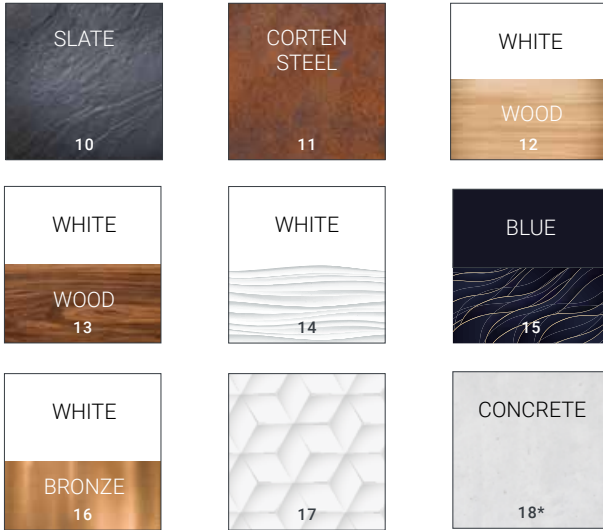
Access for 3 users at the same time

Individual naming of the devices

Synchronous or asynchronous mode

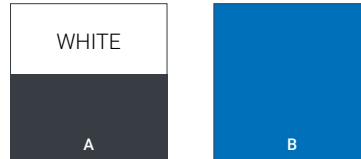
# DESIGN

## MOTIFS



## COLOURS

Color films in over 1,800 Pantone colors  
2-colored possible  
Optional with logo sticker



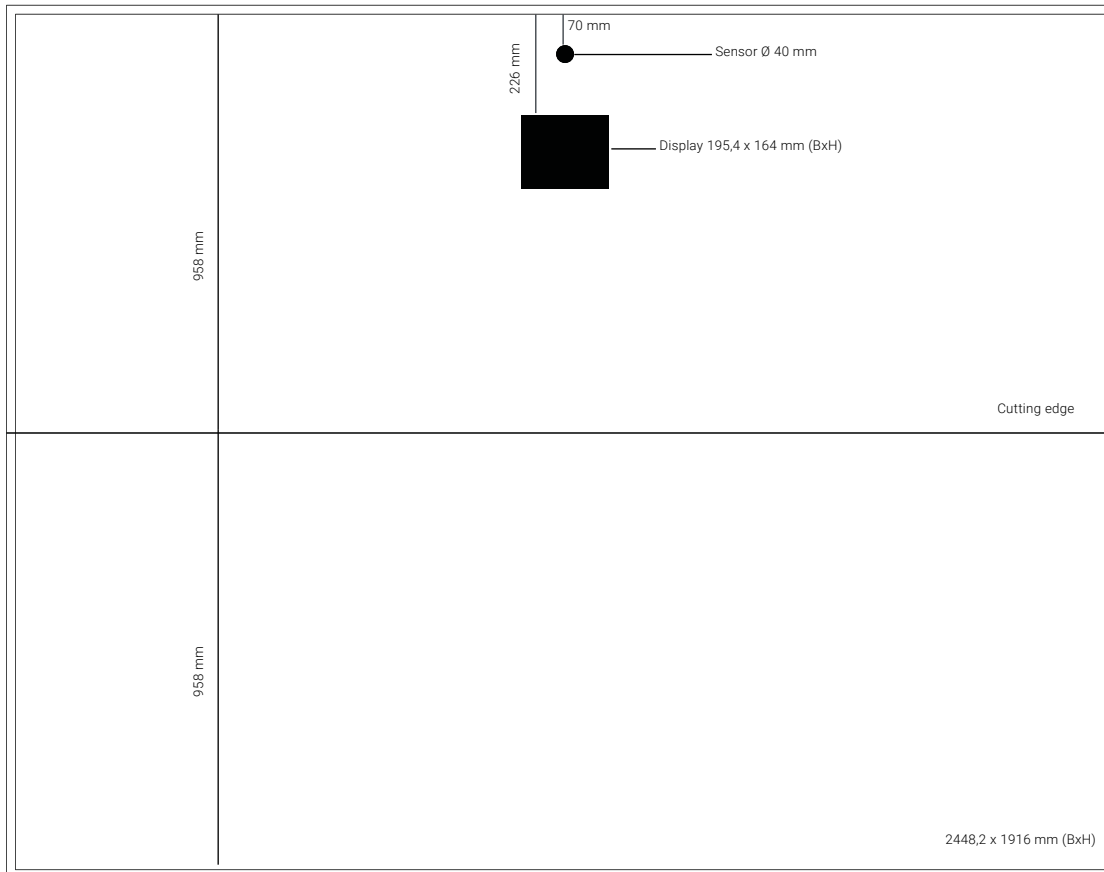
## DESIGNS

Your personalised design with logo

\*All motifs also possible only for lower cladding, with upper cladding in standard white

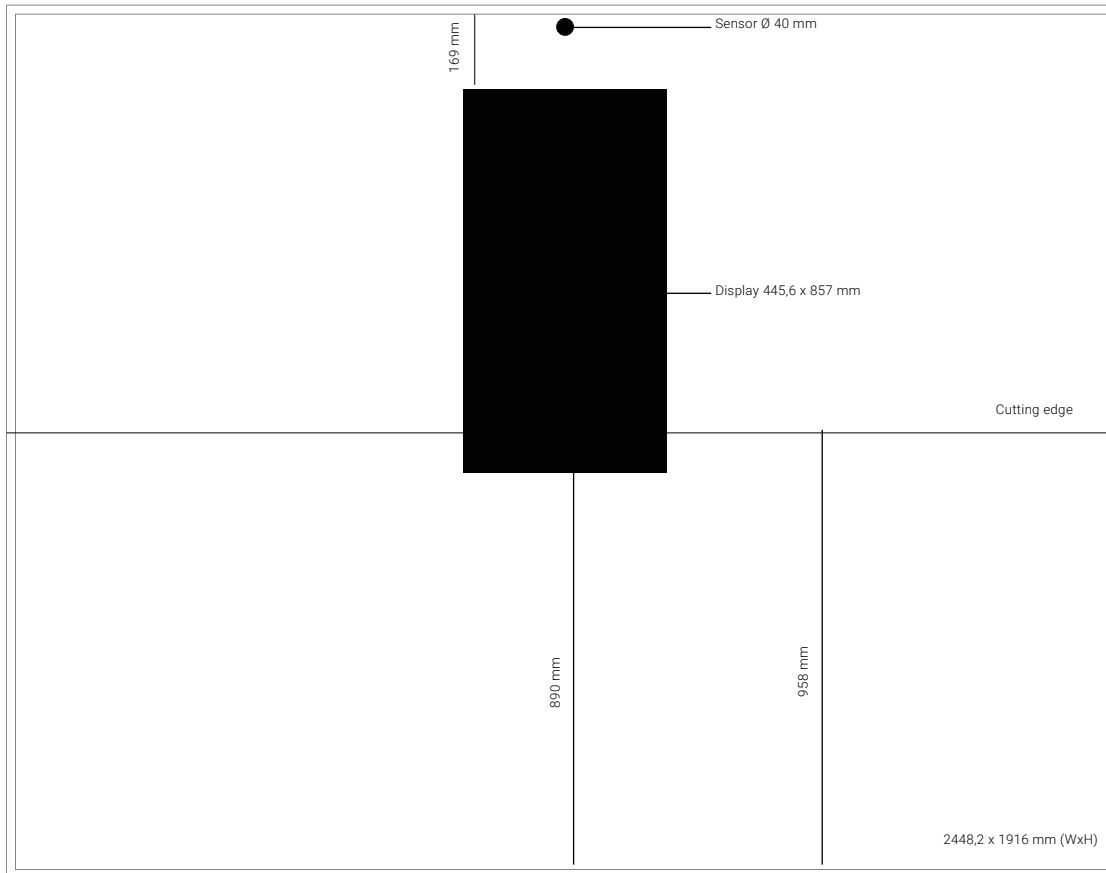


## DESIGN | DIMENSIONS SERIES 6000



### DESIGN LIEFERUNG

1. 300 dpi | CMYK color space | Print PDF
2. No recess in the display, it is cut out
3. No recess in the display, it is cut out
4. Delivery with a 20 mm bleed all around (fill the bleed area with motif, otherwise white border)
5. Delivery of the lower and upper film in one piece
6. Safety distance 10 mm to the cutting edge

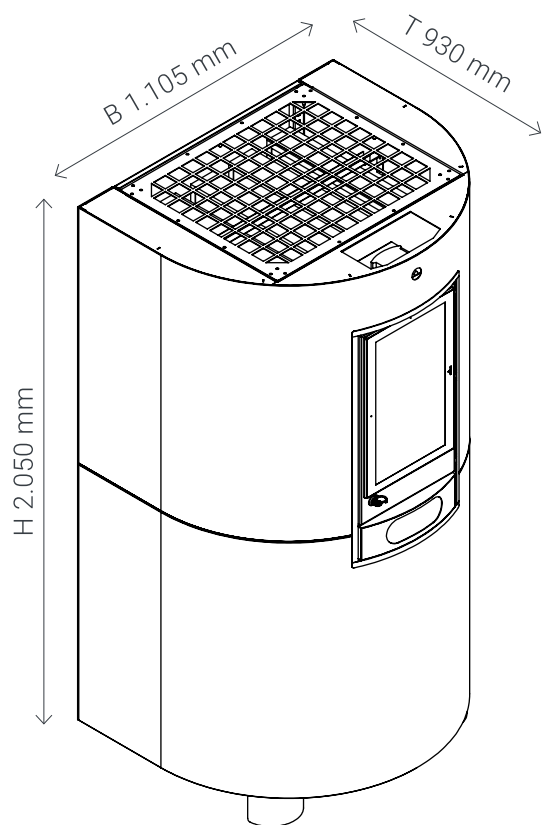


## DESIGN DELIVERY

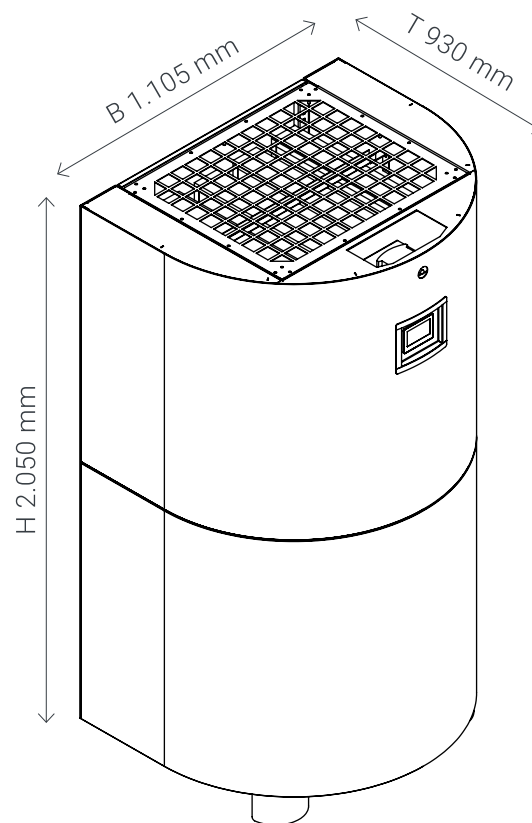
1. 300 dpi | CMYK color space | Print PDF
2. No recess in the display, it is cut out
3. No recess in the sensor, it is cut out
4. Delivery with a 20 mm bleed all around (fill the bleed area with motif, otherwise white border)
5. Delivery of the lower and upper film in one piece
6. Safety distance 10 mm to the cutting edge

## DIMENSIONS

**VITAPPOINT 6000 pro**



**VITAPPOINT 6000**





## TECHNICAL DATA

DESCRIPTION	6000	6000 pro
Max. room size	300 m <sup>2</sup>	300 m <sup>2</sup>
Supply voltage	230 V	230 V
Frequency	50 Hz	50 Hz
Current type	1 Ph	1 Ph
Motor power	1.5 kW	1.5 kW
Fuse	16 A	16 A
Max. operating point ventilator	5,500 m <sup>3</sup> /h	5,500 m <sup>3</sup> /h
Max. performance in operation	4,000 m <sup>3</sup> /h	4,000 m <sup>3</sup> /h
Weight (approx.)	315 kg	320 kg
Sound pressure highest level	<56 dB(A)	<56 dB(A)
Permitted ambient temperature	5 - 40 °C	5 - 40 °C
Permitted humidity	70 %	70 %

NOTE: This information is as precise as possible, minor deviations may occur

## SERVICE | EQUIPMENT



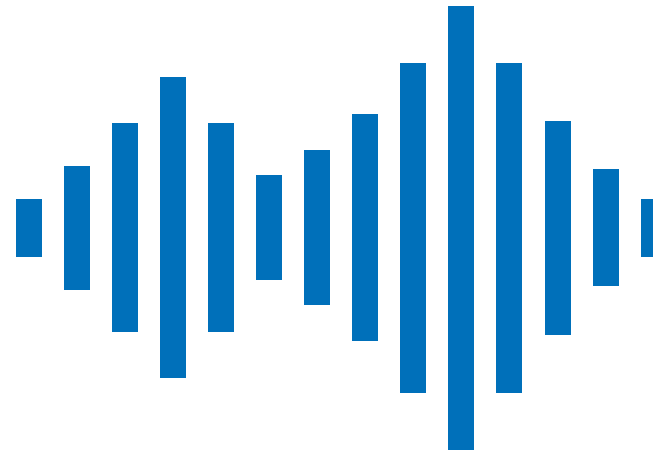
DESCRIPTION	6000	6000 pro
Performance level	10 levels timer	5 levels timer
Design	numerous motifs Solid color foils individual design + logo stainless steel	numerous motifs solid color foils individual design + logo stainless steel
Control	touchpanel multilingual VITAPOINT App	displaypanel multilingual
Equipment	room air sensor CO2 filter monitoring 4.3 inch touch panel basic service menu with automatic error detection mobile	indoor air sensor: temperature, humidity, CO2, VOC filter monitoring 24 inch advertising display with USB, LAN, WLAN hand disinfection timer premium service menu with automatic error detection mobile

NOTE: The technical information are as precise as possible, minor deviations may occur

## SOUND LEVEL VITAPPOINT®

VITAPPOINT®	6000
Level 1   200 m³/h	29 dB(A)
Level 2   500 m³/h	32 dB(A)
Level 3   1.000 m³/h	34 dB(A)
Level 4   1.500 m³/h	38 dB(A)
Level 5   2.000 m³/h	43 dB(A)
Level 6   2.500 m³/h	46 dB(A)
Level 7   3.000 m³/h	50 dB(A)
Level 8   3.500 m³/h	53 dB(A)
Level 9   3.800 m³/h	55 dB(A)
Level 10   4.000 m³/h	56 dB(A)

VITAPPOINT®	6000 pro
Level 1   700 m³/h	30 dB(A)
Level 2   1.600 m³/h	41 dB(A)
Level 3   2.600 m³/h	47 dB(A)
Level 4   3.600 m³/h	52 dB(A)
Level 5   4.000 m³/h	56 dB(A)



NOTE: Noise level according to the Machinery Directive in the open air at a distance of 1.0 m at a height of 1.6 m. Measurement according to EN-ISO 11201, measured at nominal volume flow without material transport. The technical data are as accurate as possible, minor deviations may occur.



**XTRACTION®**

by ABSAUGWERK

**XTRACTION®** is a brand of ABSAUGWERK GmbH and special Suction solutions that do not primarily serve the industrial sector, but rather cross-sector niche markets in the field of suction technology. In order to restore the air quality in heavily frequented rooms such as reception halls, waiting areas or public places, ABSAUGWERK® has the Vitapoint® air purifier under the XTRACTION® brand developed.

**„There are a thousand diseases,  
but only one health.“**

*Carl Ludwig Börne*

If you have any further questions, your personal contact person will be happy to assist you.

**XTRACTION®**

A brand of ABSAUGWERK GMBH

Messerschmittstr. 22

D-89231 Neu-Ulm

+49 731 141108-11

[info@xtraction-germany.de](mailto:info@xtraction-germany.de)



MADE IN GERMANY