

# SHREDDERS

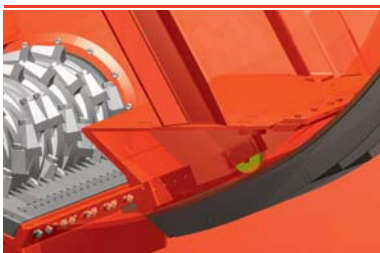
WITH SINGLE-SHAFT TECHNOLOGY

SERIES WKS 1400 | 1800 | 2200

# THE MULTITALENT FOR ALL KINDS OF PLASTIC.



WITH THE WKS 1400-2200 SERIES YOU CAN SHRED EVERYTHING – FROM VOLUMINOUS OBJECTS TO TEAR-RESISTANT FIBERS AND FILM.



## MATERIAL FEEDING

→ Swing ram on rolls // Positioned inside the cutting chamber // Optionally with extended pusher plate



## INSPECTION FLAP

→ For maintenance-friendly access  
// Quick removal of foreign objects



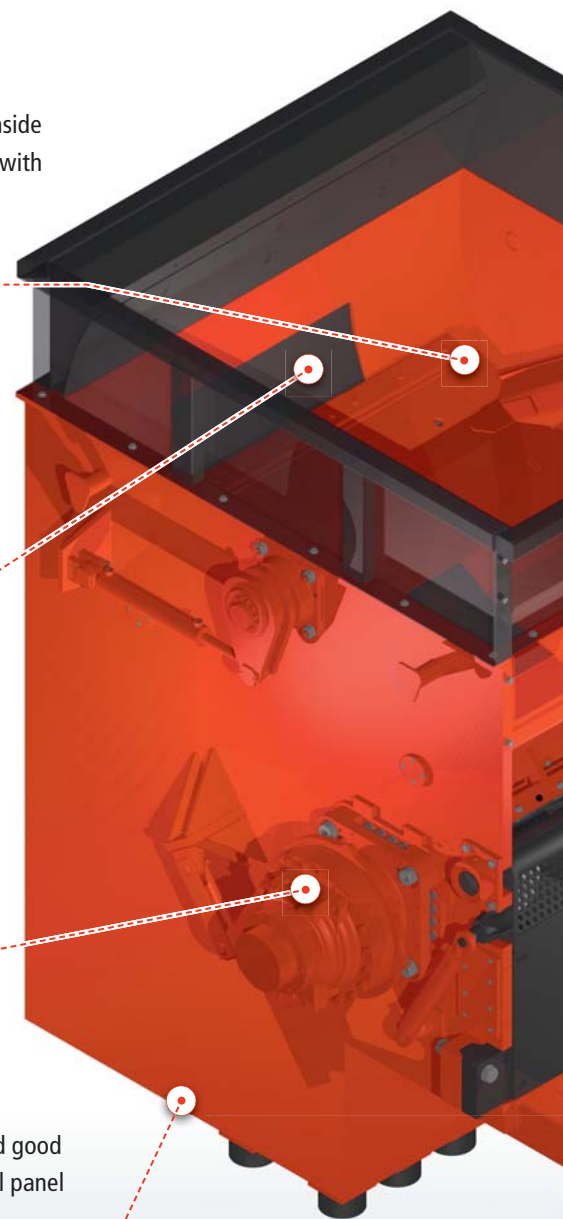
## DRIVE

→ Shredders can be equipped with hydraulic drive or power belt drive // Depending on application



## PLC-CONTROL

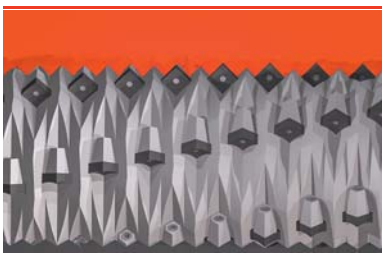
→ Energy efficient size reduction and good usability with Siemens PLC control panel





### V-ROTOR

→ 500 mm diameter // Ideal for lumps, hollow and voluminous objects  
// Universally applicable



### F-ROTOR

→ 500 mm diameter // Ideal for fibers and film // Controlled feeding // Precise cutting



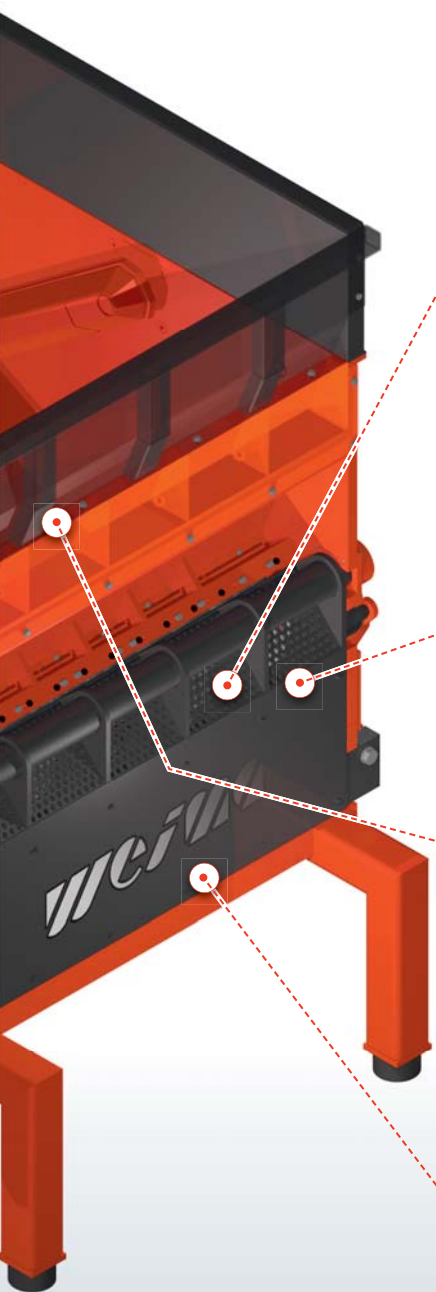
### LOW FEEDING POINT

→ For direct feeding via forklift or wheel loader

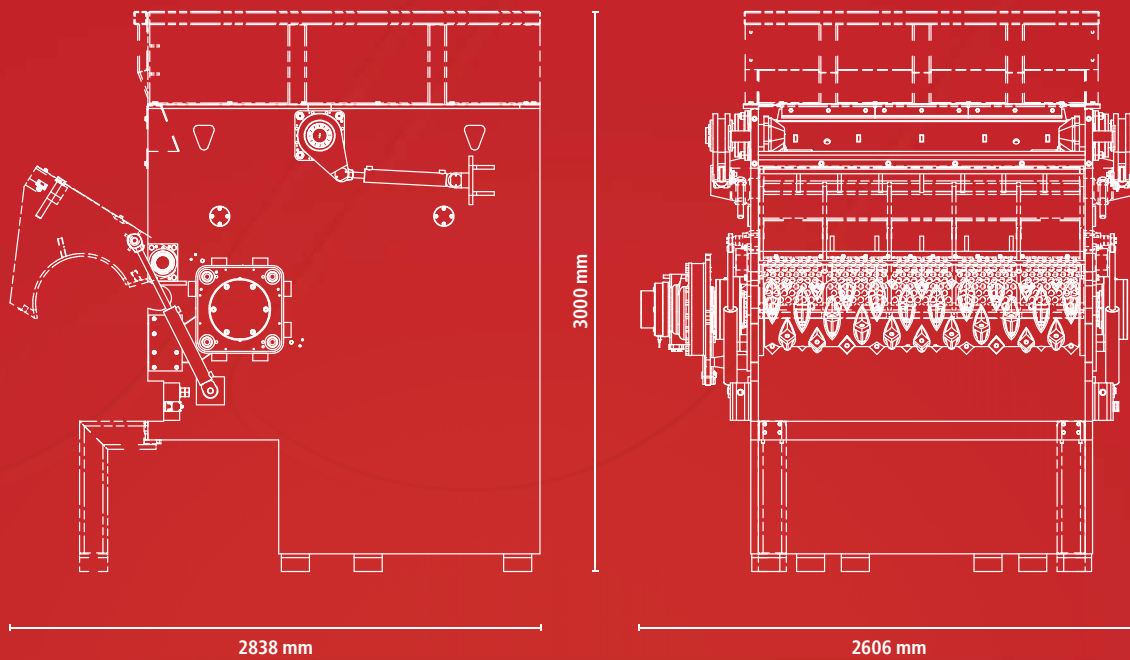


### MATERIAL DISCHARGE

→ Lift up screen basket // Screen segments can be changed individually  
// Various screen sizes available



### WKS 1800



TECHNICAL SPECIFICATIONS		WKS 1400	WKS 1800	WKS 2200
Feed opening	[mm]	1,400 × 2,000	1,800 × 2,000	2,200 × 2,000
Rotor diameter	[mm]	500	500	500
Rotor width	[mm]	1,400	1,800	2,200
Rotor speed	[UpM]	70–100	70–100	70–100
Motor performance				
Hydraulic drive	[kW]	up to 132	up to 160	up to 200
Power belt drive	[kW]	up to 110	up to 110	up to 110
Screen size	[mm]	20–100	20–100	20–100
Weight	[ca. kg]	9,000	12,000	15,000

Output dependent on material and screen. Special designs available on request.  
 Demonstrations and trials in our showroom, using your material, can be arranged by appointment.