

# SHREDDERS

WITH SINGLE-SHAFT TECHNOLOGY

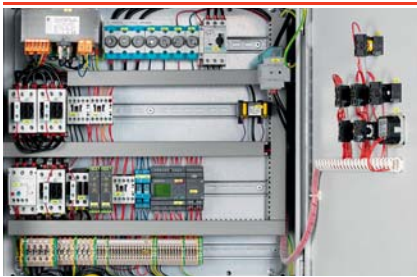
SERIES WL 6S | WL 10 | WL 13 | WL 15 | WL 20



# PERFECTED TECHNOLOGY FOR ALL KINDS OF WOOD MATERIAL



WL 6S | WL 10 | WL 13 | WL 15 | WL 20 – RELIABLE SHREDDERS FOR INDUSTRIAL REQUIREMENTS.



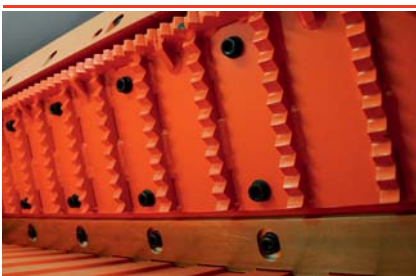
## SWITCH BOX

→ SPS-control panel for controlled size reduction // Various ram control options available



## HYDRAULICS

→ Enclosed hydraulic system // Cooling system optional for continuous operation



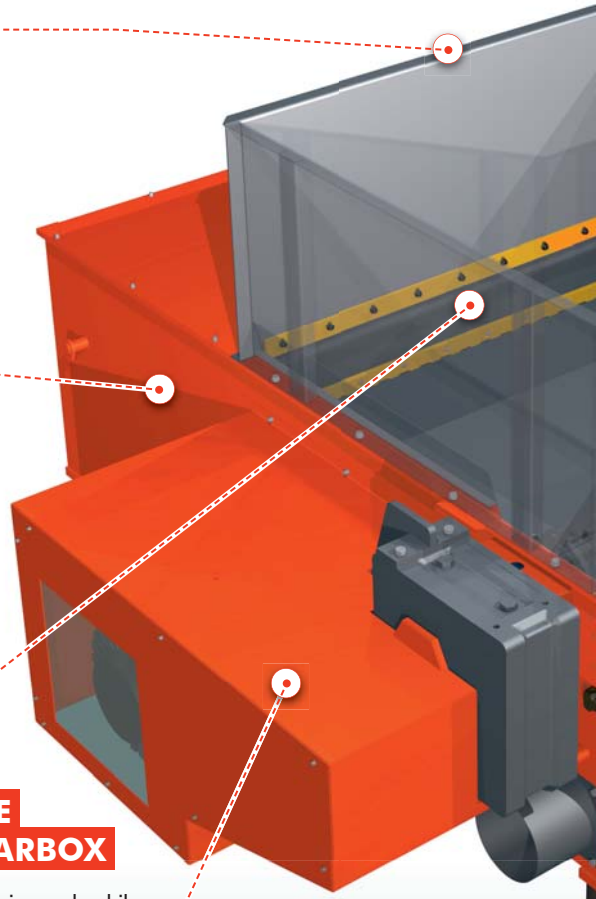
## RAM COMB

→ Load-related control // Ram for controlled pressing material against the rotor



## POWERFUL DRIVE WITH WEIMA GEARBOX

→ In-house development for maximum durability // Monitoring of torque included // Rubber buffer // Hydrodynamic starting coupling for protection of machine (up from 30 kW)





### SEGMENTED FLOOR

- For very thin material (e.g. veneer)
- // Prevents seizing of ram



### V-ROTOR

- Two rows of knives // Optimum material intake
- // Minimum wear of cutting knives
- // Low power input yielding high output of shredded material



### ROTOR BEARING

- Offset construction // Solid design
- // Completely enclosed to protect from dust

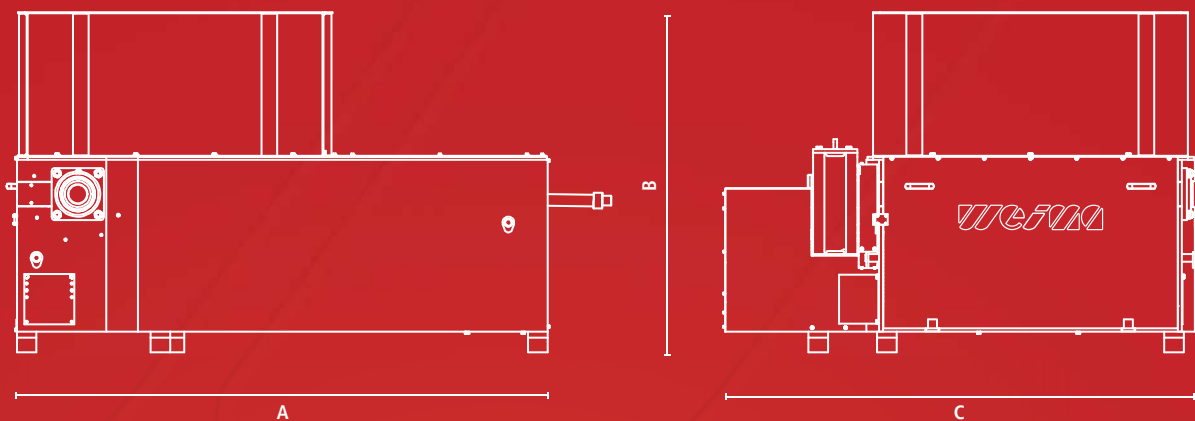


### MATERIAL DISCHARGE

- Different screen sizes available
- // Extraction system by air, auger or conveyor



**WL 15**



TECHNICAL SPECIFICATIONS		WL 6S	WL 10	WL 13	WL 15	WL 20
Length A	[mm]	2,100	2,100	2,100	2,700	2,700
Height B	[mm]	1,730	1,730	1,730	1,730	1,930
Width C	[mm]	1,700	1,890	2,260	2,420	3,100
Feed opening	[mm]	800 x 1,200	1,000 x 1,200	1,300 x 1,200	1,500 x 1,500	2,000 x 1,500
Hopper volume	[m <sup>3</sup> ]	1.0	1.3	1.6	2.3	3.0
Output	[kg/h]	*	*	*	*	*
Rotor length	[mm]	800	1,000	1,300	1,500	2,000
Rotor diameter	[mm]	368	368	368	368	368
Rotor speed	[rpm]	60–100	60–120	60–120	60–120	60–120
Drive capacity	[kW]	22/30/37	30/37/45	30/37/45	37/45/55/75	55/75/90/110
Tools	[knives]	23/42	28/52	37/70	43/82	57/110
Screen mesh aperture	[mm]	10–100	10–100	10–100	10–100	10–100
Extractor nozzle diameter	[mm]	200	200	250	250	250
Weight	[approx. kg]	2,600	3,000	3,400	4,200	5,500

\* The output depends on the material being shredded and the screen size. Special design on request.  
Demonstrations and trials with your material in our showroom can be arranged by appointment.